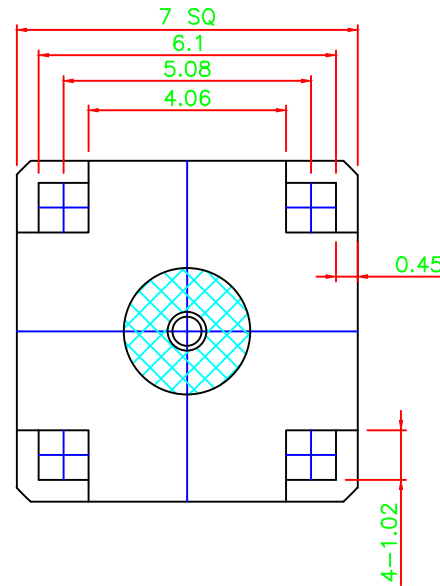
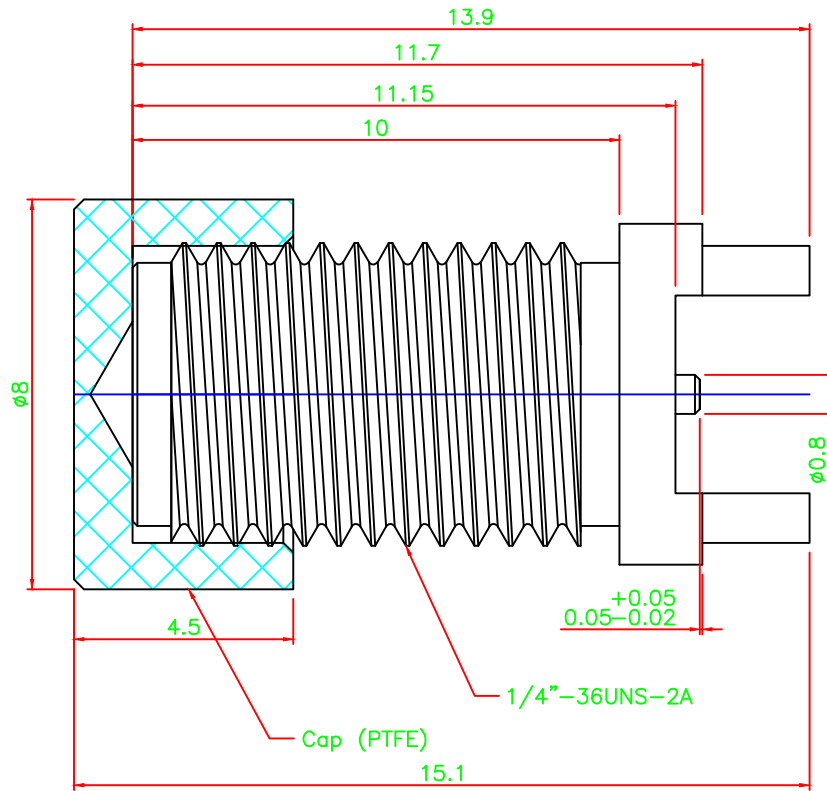
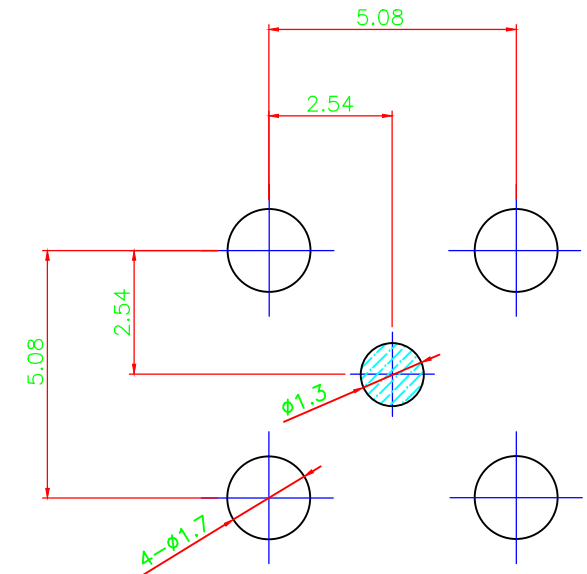


NO	Items	Specs
1	Impedance	50Ω
2	Frequency	DC~18GHz
3	V.S.W.R	1.3 Max
4	Working Voltage	500V
5	Dielectric Withstanding Voltage	AC 1500V
6	Insulation Resistance	5000 MΩ Min
7	Contact Resistance	Center contact ≤ 3.0mΩ Outer contact ≤ 2.0mΩ
8	Temperature Range	-55°C ~ +165°C



RECOMMENDED  
PCB LAYOUT



NO	Description	Material	Finish
1	Body	Brass	Gold
2	Contact	BeCu	Gold
3	Insulator	Teflon	-
4	Cap	Teflon	-

Dimensions Are in Millimeters Unless Otherwise Specified Tolerances	
0.5-6	= ± 0.2
6-30	= ± 0.4
30-120	= ± 0.6
120-315	= ± 1.0
315-1000	= ± 1.6
1000-2000	= ± 2.4



**COSMTEC** COSMTEC RESOURCES CO., LTD

DRAFT      CHECKED      APPROVED

The Drawing Contains Information That Is Proprietary To Cosmtec Resources Co., Ltd  
And Should Not Be Used Without Written Permission.      www.cosmtec.com

Part No.	S-085-2
Title:	SMA JACK SOLER SMT TYPE
DATE:	JUN/01/2020
SCALE:	1:1
UNIT	m/m
REV	B