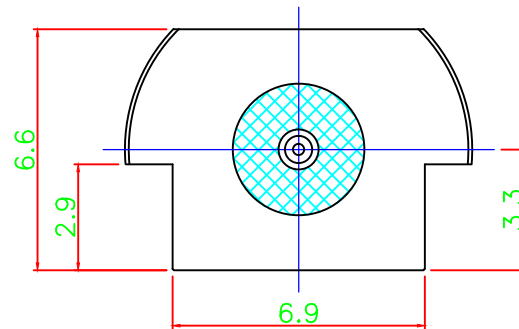


RECOMMENDED P.C.B LAYOUT



NO	Items	Specs
1	Impedance	50Ω
2	Frequency	DC~12.5GHz
3	V.S.W.R	1.3 Max
4	Working Voltage	500V
5	Dielectric Withstanding Voltage	AC 1500V
6	Insulation Resistance	5000 MΩ Min
7	Contact Resistance	Center contact ≤ 3.0mΩ Outer contact ≤ 2.0mΩ
8	Temperature Range	-55°C ~ +165°C
9	Mating	Screw-On
10	Material/Finish	All RoHS Compliant

NO	Description	Material	Finish
1	Body	Brass	Gold
2	Contactors	BeCu	Gold
3	Insulator	Teflon	-

*Dimensions Are in Millimeters
Unless Otherwise Specified
Tolerances*

0.5-6 = ± 0.2
6-30 = ± 0.4
30-120 = ± 0.6
120-315 = ± 1.0
315-1000 = ± 1.6
1000-2000 = ± 2.4

ROHS
COMPLIANT

COSMTEC ® **COSMTEC RESOURCES CO., LTD**

DRAFT	CHECKED	APPROVED
-------	---------	----------

The Drawing Contains Information That Is Proprietary To Cosmtec Resources Co., Ltd And Should Not Be Used Without Written Permission. www.cosmtec.com

Part No. S-036-29(A)	Title: SMA JACK SOLDER FOR EDGE CARD MOUNT
DATE: FEB/01/2018	SCALE: 1:1
UNIT: m/m	REV: A