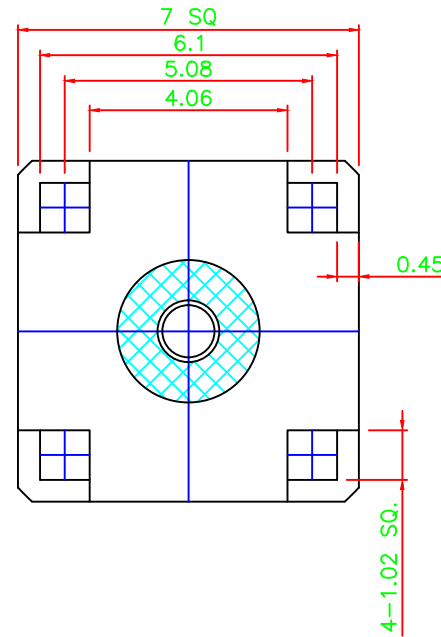
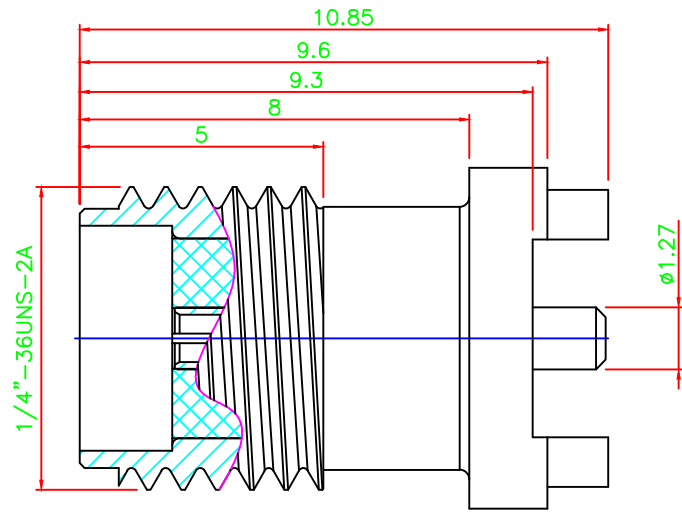
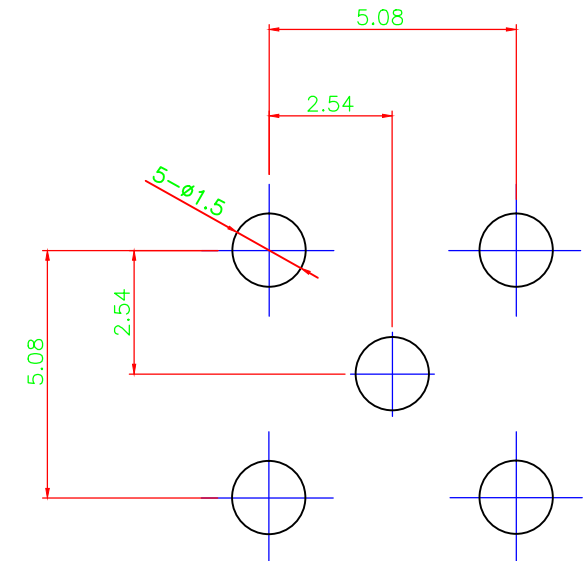


NO	Items	Specs
1	Impedance	50Ω
2	Frequency	DC~18GHz
3	V.S.W.R	1.3 Max
4	Working Voltage	500V
5	Dielectric Withstanding Voltage	AC 1500V
6	Insulation Resistance	5000 MΩ Min
7	Contact Resistance	Center contact ≤ 3.0mΩ Outer contact ≤ 2.0mΩ
8	Temperature Range	-55°C ~ +165°C



RECOMMENDED
PCB LAYOUT



NO	Description	Material	Finish
1	Body	Brass	Gold
2	Contactors	P.H Bronze	Gold
3	Insulator	Teflon	-

Dimensions Are in Millimeters
Unless Otherwise Specified
Tolerances

0.5-6	= ± 0.2
6-30	= ± 0.4
30-120	= ± 0.6
120-315	= ± 1.0
315-1000	= ± 1.6
1000-2000	= ± 2.4

ROHS COMPLIANT

COSMTEC COSMTEC RESOURCES CO., LTD

DRAFT CHECKED APPROVED

The Drawing Contains Information That Is Proprietary To Cosmtec Resources Co., Ltd
And Should Not Be Used Without Written Permission. www.cosmtec.com

Part No.	S-036-19		
Title:	SMA JACK SOLER FOR PCB MOUNT		
DATE:	AUG/05/2020	SCALE:	1:1
UNIT	m/m	REV	A