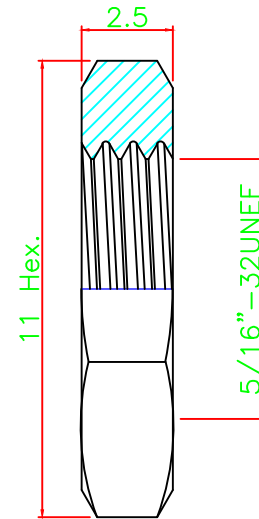
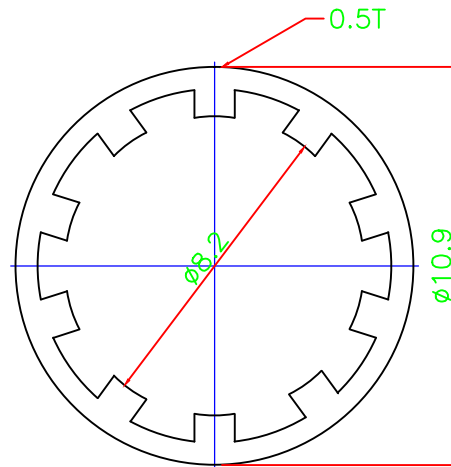
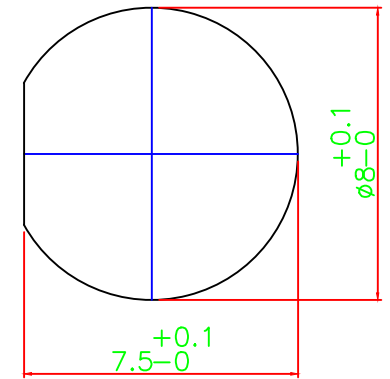


| NO | Items                           | Specs   |
|----|---------------------------------|---|
| 1  | Impedance                       | 50Ω   |
| 2  | Frequency                       | DC~18GHz  |
| 3  | V.S.W.R                         | 1.2 Max   |
| 4  | Working Voltage                 | 500V  |
| 5  | Dielectric Withstanding Voltage | AC 1500V  |
| 6  | Insulation Resistance           | 5000 MΩ Min                                     |
| 7  | Contact Resistance              | Center contact ≤ 3.0mΩ<br>Outer contact ≤ 2.0mΩ |
| 8  | Temperature Range               | -55°C ~ +165°C                                  |
| 9  | Mating                          | Screw-On  |
| 10 | Material/Finish                 | All RoHS Compliant                              |



**RECOMMENDED MOUNTING HOLE**



| NO | Description | Material | Finish |
|----|-------------|----------|--------|
| 1  | Body        | Brass    | Gold   |
| 2  | Insulator   | Teflon   | -      |
| 3  | Contact     | BeCu     | Gold   |
| 4  | Insulator   | Teflon   | -      |
| 5  | Insulator   | POM      | -      |
| 6  | Washer      | Brass    | Gold   |
| 7  | Nut         | Brass    | Gold   |

Dimensions Are in Millimeters  
Unless Otherwise Specified  
Tolerances

|                   |
|-------------------|
| 0.5-6 = ± 0.2     |
| 6-30 = ± 0.4      |
| 30-120 = ± 0.6    |
| 120-315 = ± 1.0   |
| 315-1000 = ± 1.6  |
| 1000-2000 = ± 2.4 |

**ROHS COMPLIANT**

**COSMTEC** COSMTEC RESOURCES CO., LTD

|       |         |          |
|-------|---------|----------|
| DRAFT | CHECKED | APPROVED |
|-------|---------|----------|

The Drawing Contains Information That Is Proprietary To Cosmtec Resources Co., Ltd And Should Not Be Used Without Written Permission. www.cosmtec.com

|          |  |
|----------|--|
| Part No. | S-0311F-TGG                                |
| Title:   | SMA JACK BULKHEAD TO JACK ISOLATOR ADAPTER |
| DATE:    | JAN/10/2022                                |
| SCALE:   | 1:1  |
| UNIT     | m/m  |
| REV      | A  |