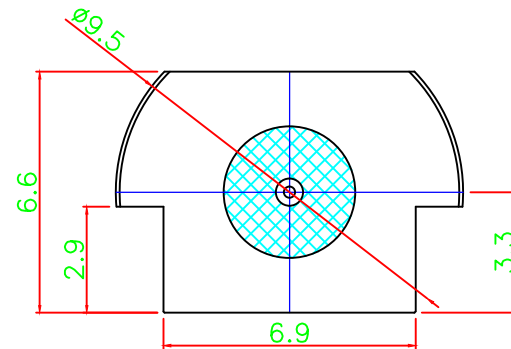


**RECOMMENDED
P.C.B LAYOUT**



NO	Items	Specs
1	Impedance	50Ω
2	Frequency	DC~12.5 GHz
3	V.S.W.R	1.3 Max
4	Working Voltage	335V
5	Dielectric Withstanding Voltage	AC 1500V
6	Insulation Resistance	5000 MΩ Min
7	Contact Resistance	Center contact ≤ 2.5mΩ Outer contact ≤ 3.0mΩ
8	Temperature Range	-55°C ~ +165°C
9	Mating	Push-Pull
10	Material/Finish	All RoHS Compliant

NO	Description	Material	Finish
1	Body	Brass	Gold
2	Contact	P.H Bronze	Gold
3	Insulator	Teflon	-

*Dimensions Are In Millimeters
Unless Otherwise Specified
Tolerances*

0.5-6	= ± 0.2
6-30	= ± 0.4
30-120	= ± 0.6
120-315	= ± 1.0
315-1000	= ± 1.6
1000-2000	= ± 2.4

ROHS COMPLIANT

COSMTEC **COSMTEC RESOURCES CO., LTD**

DRAFT CHECKED APPROVED

The Drawing Contains Information That Is Proprietary To Cosmtec Resources Co., Ltd And Should Not Be Used Without Written Permission. www.cosmtec.com

Part No.	Q-014-2		
Title:	QMA JACK SOLDER FOR EDGE CARD MOUNT T.G.G.		
DATE:	JAN/02/2019	SCALE:	1:1
UNIT	m/m	REV	A