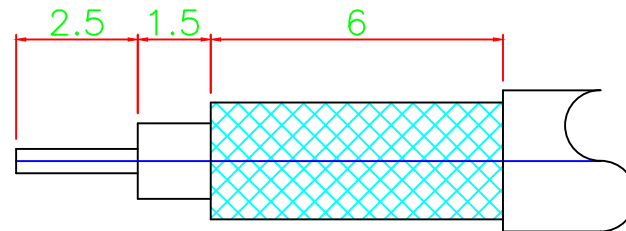
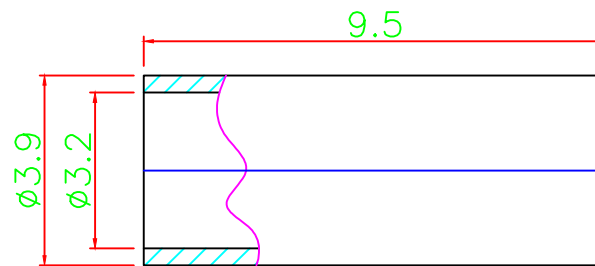
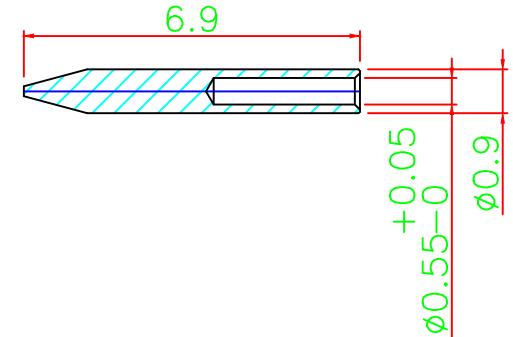


.028" / 0.75mm Hex Crimp



NO	Items	Specs
1	Impedance	50Ω
2	Frequency	DC~2GHz
3	V.S.W.R	1.3 Max
4	Working Voltage	100V
5	Dielectric Withstanding Voltage	1000V
6	Insulation Resistance	5000 MΩ Min
7	Contact Resistance	Center contact ≤ 10mΩ Outer contact ≤ 5mΩ
8	Temperature Range	-55°C ~ +165°C
9	Mating	Screw-On
10	Material/Finish	All RoHS Compliant

NO	Description	Material	Finish
1	Body	Brass	Nickel
2	Insulator	Teflon	-
3	Contactors	Brass	Gold
4	Bullet Pin	Brass	Gold
5	Ferrule	Brass	Nickel

Dimensions Are in Millimeters  
Unless Otherwise Specified  
Tolerances

0.5-6	= ± 0.2
6-30	= ± 0.4
30-120	= ± 0.6
120-315	= ± 1.0
315-1000	= ± 1.6
1000-2000	= ± 2.4

**ROHS COMPLIANT**

**COSMTEC** COSMTEC RESOURCES CO., LTD

DRAFT      CHECKED      APPROVED

The Drawing Contains Information That Is Proprietary To Cosmtec Resources Co., Ltd  
And Should Not Be Used Without Written Permission.      www.cosmtec.com

Part No.	NP-001-174		
Title:	FME JACK CRIMP FOR RG-174		
DATE:	MAY/28/2019	SCALE:	1:1
UNIT	m/m	REV	A