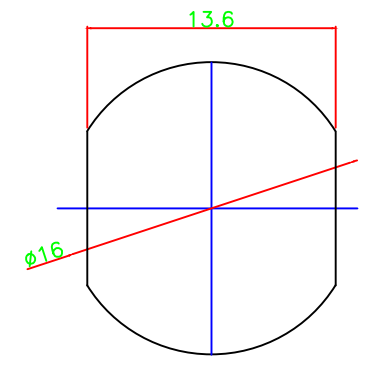
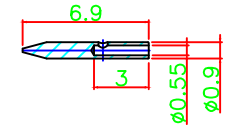
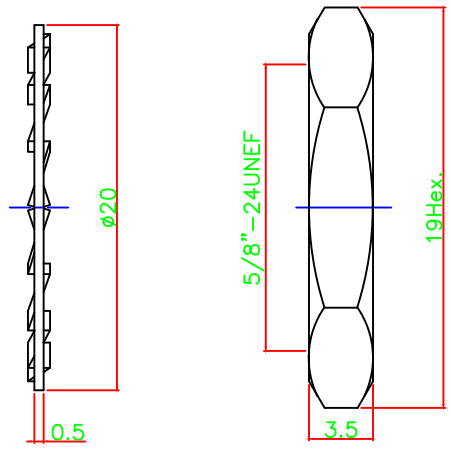
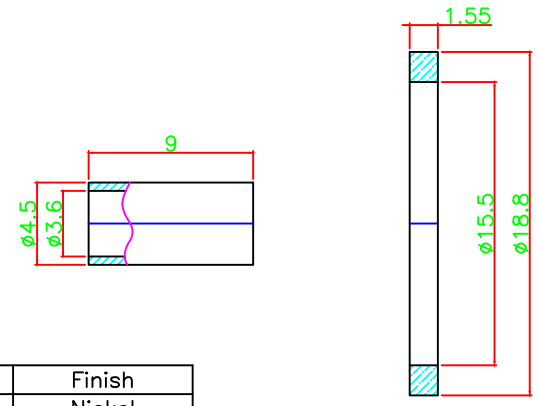


- 1. Solde
- 2. 028" / 0.7mm Hex. Crimp



RECOMMENDED MOUNTING HOLES



NO	Description	Material	Finish
1	Shell	Brass	Nickel
1	Body	Brass	Nickel
2	Contactor	Brass	Gold
3	Insulator	Teflon	-
4	Bullet Pin	Brass	Gold
5	Nut	Brass	Nickel
6	Ferrule	Brass	Nickel
7	Washer	Brass	Nickel
8	Gasket	Silicone	-
9	Snap Ring	SUS304	-
10	Ground Tube	Brass	Nickel
11	Cable Tube	Brass	Nickel

Dimensions Are in Millimeters  
Unless Otherwise Specified  
Tolerances

0.5-6 = ± 0.2
6-30 = ± 0.4
30-120 = ± 0.6
120-315 = ± 1.0
315-1000 = ± 1.6
1000-2000 = ± 2.4

**ROHS COMPLIANT**

**COSMTEC** COSMTEC RESOURCES CO., LTD

DRAFT      CHECKED      APPROVED

The Drawing Contains Information That Is Proprietary To Cosmtec Resources Co., Ltd And Should Not Be Used Without Written Permission.      www.cosmtec.com

1	Impedance	50Ω
2	Frequency	DC~6 GHz
3	V.S.W.R	1.5 Max
4	Working Voltage	1,400V
5	Insulation Resistance	5000 MΩ Min
6	Contact Resistance	Center contact ≤ 2.0mΩ Outer contact ≤ 0.5mΩ
7	Temperature Range	-55°C ~ +165°C
8	Mating	Screw-On
10	Material/Finish	All RoHS Compliant

Part No. N-068-174

Title: N PLUG BULKHEAD PIN-IN-PIN FOR RG-174, RG-316

DATE: FEB/04/2020      SCALE: 1:1      UNIT: m/m      REV: A