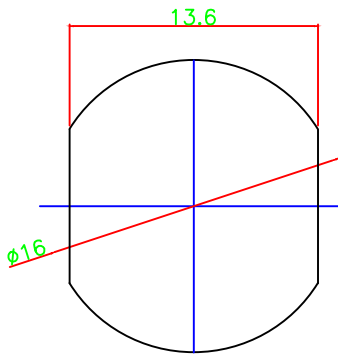
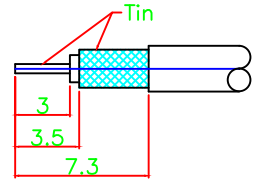
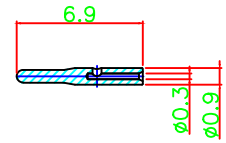
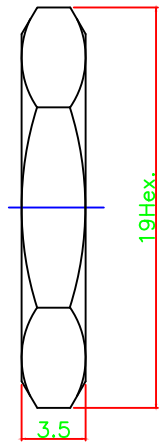
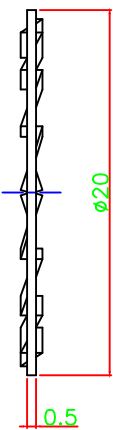
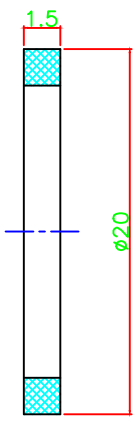


- 1. Solde
- 2. 028" / 0.7mm Hex. Crimp



RECOMMENDED MOUNTING HOLES



1	Impedance	50Ω
2	Frequency	DC~6 GHz
3	V.S.W.R	1.5 Max
4	Working Voltage	1,400V
5	Insulation Resistance	5000 MΩ Min
6	Contact Resistance	Center contact ≤ 2.0mΩ Outer contact ≤ 0.5mΩ
7	Temperature Range	-55°C ~ +165°C
8	Mating	Screw-On
10	Material/Finish	All RoHS Compliant

NO	Description	Material	Finish
1	Body	Brass	Nickel
2	Contact	Brass	Gold
3	Insulator	Teflon	-
4	Bullet	Brass	Gold
5	Nut	Brass	Nickel
6	Washer	Brass	Nickel
7	Gasket	Silicone	-
8	Cable Tube	Brass	Nickel

Dimensions Are in Millimeters
Unless Otherwise Specified
Tolerances

0.5-6 = ± 0.2
6-30 = ± 0.4
30-120 = ± 0.6
120-315 = ± 1.0
315-1000 = ± 1.6
1000-2000 = ± 2.4



COSMTEC COSMTEC RESOURCES CO., LTD

DRAFT CHECKED APPROVED

The Drawing Contains Information That Is Proprietary To Cosmtec Resources Co., Ltd And Should Not Be Used Without Written Permission. www.cosmtec.com

Part No. N-007-DC-1.13

Title: N JACK BULKHEAD DC-TYPE FOR 1.13 T.G.N.

DATE: AUG/24/2021 SCALE: 1:1 UNIT: m/m REV: A