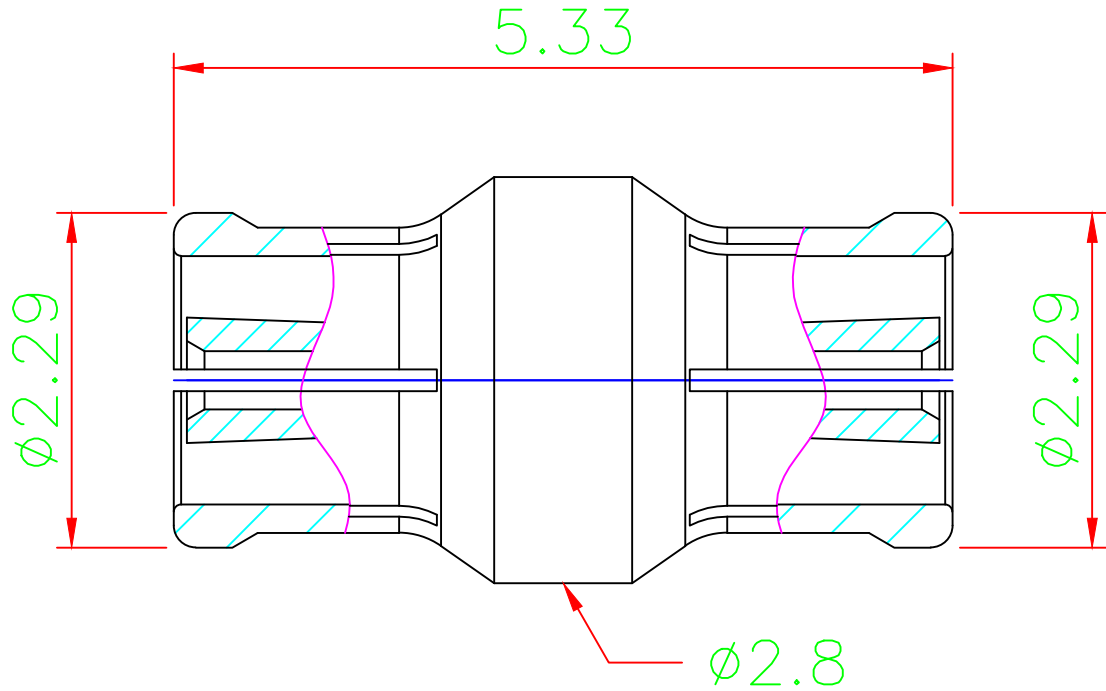
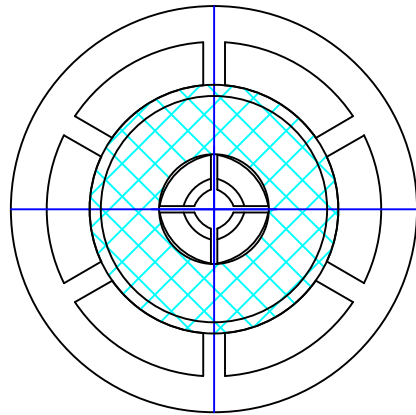


NO	Description	Material	Finish
1	Body	BeCu	White Bronze / Gold 3u"
2	Insulator	Teflon	-
3	Contact	BeCu	White Bronze / Gold 5u"



NO	Items	Specs
1	Impedance	50Ω
2	Frequency	DC~26.5 GHz
3	V.S.W.R	1.3 Max
4	Working Voltage	325V
5	Dielectric Withstanding Voltage	AC 500V
6	Insulation Resistance	5 GΩ Min
7	Contact Resistance	Center contact ≤ 6.0mΩ Outer contact ≤ 2.0mΩ
8	Temperature Range	-55°C ~ +165°C
9	Mating	Push-Pull
10	Material/Finish	All RoHS Compliant

Dimensions Are in Millimeters  
Unless Otherwise Specified  
Tolerances

0.5-6	= ± 0.2
6-30	= ± 0.4
30-120	= ± 0.6
120-315	= ± 1.0
315-1000	= ± 1.6
1000-2000	= ± 2.4



COSMTEC RESOURCES CO., LTD

DRAFT      CHECKED      APPROVED

The Drawing Contains Information That Is Proprietary To Cosmtec Resources Co., Ltd  
And Should Not Be Used Without Written Permission.      www.cosmtec.com

Part No.      MNSP-001-NM-1

Title: SMPM JACK TO JACK ADAPTER  
NON-MAGNETIC L:5.3MM

DATE:      MAR/23/2018      SCALE:      1:1      UNIT      m/m      REV      A