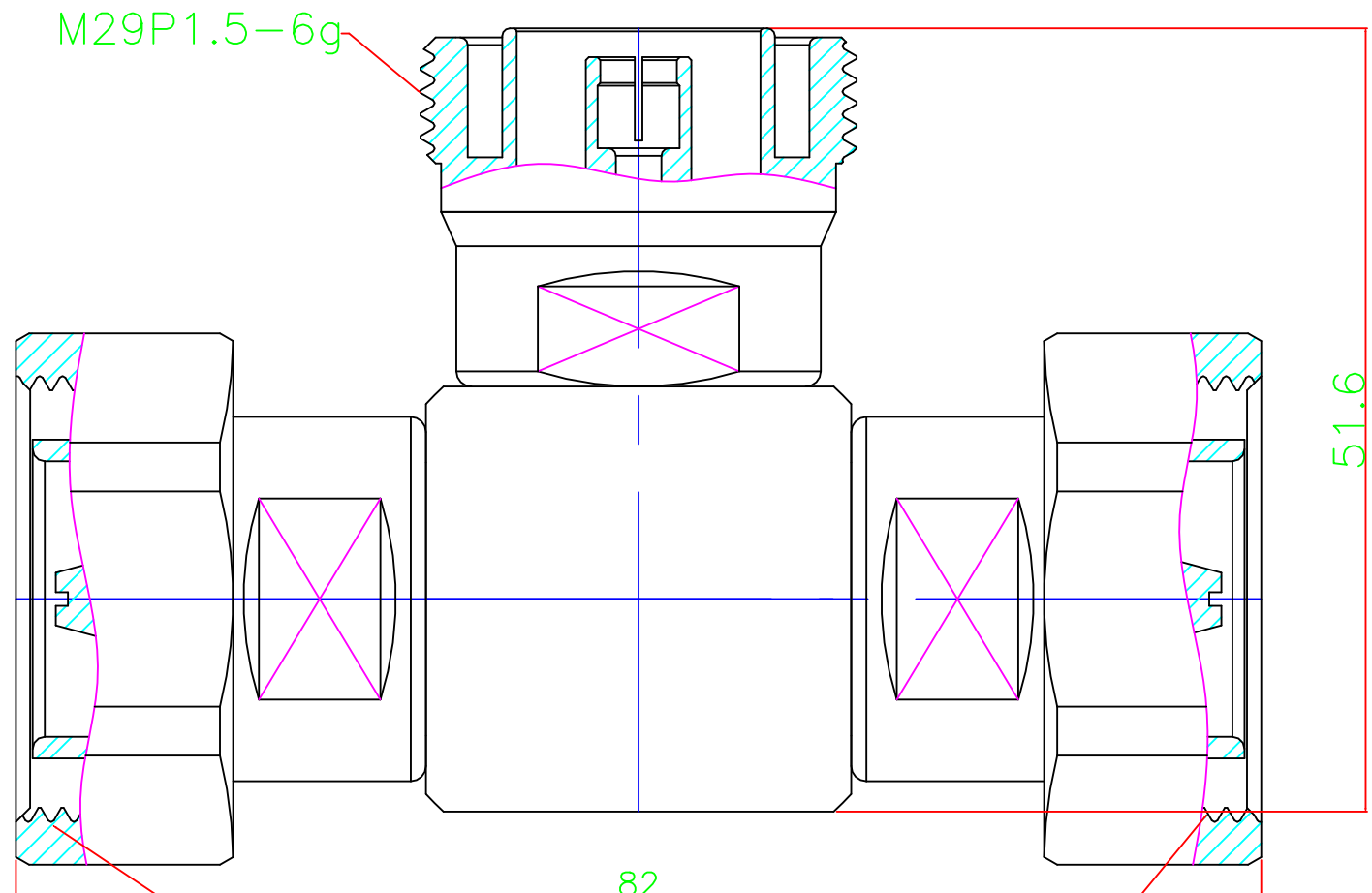


NO	Items	Specs
1	Impedance	50Ω
2	Frequency	DC~6GHz
3	V.S.W.R	-
4	PIM	-
4	Working Voltage	500V
5	Dielectric Withstanding Voltage	2300V
6	Insulation Resistance	5000 MΩ Min
7	Contact Resistance	Center contact 0.4mΩ Max. Outer contact 0.2mΩ Max.
8	Temperture Range	-55°C ~ +165°C
9	Mating	Screw-On / 500 Cycles
10	Material/Finish	All RoHS Compliant



NO	Description	Material	Finish
1	Body	Brass	CuSnZn
2	Body	Brass	CuSnZn
3	Shell	Brass	CuSnZn
4	SQ. Body	Brass	CuSnZn
5	Body	Brass	CuSnZn
6	Shell	Brass	CuSnZn
7	Contact	P.H Bronze	CuSnZn
8	Insulator	Teflon	-
9	Contact	Brass	CuSnZn
10	Insulator	Teflon	-
11	Contact	Brass	CuSnZn
12	Insulator	Teflon	-
13	Contact	Brass	CuSnZn
14	Cover Nut	Brass	CuSnZn
15	Gasket	Silicone	-
16	Gasket	Silicone	-

Dimensions Are In Millimeters  
Unless Otherwise Specified  
Tolerances

0.5-6	= ± 0.2
6-30	= ± 0.4
30-120	= ± 0.6
120-315	= ± 1.0
315-1000	= ± 1.6
1000-2000	= ± 2.4

**ROHS COMPLIANT**

**COSMTEC** **COSMTEC RESOURCES CO.,LTD**

DRAFT	CHECKED	APPROVED
-------	---------	----------

The Drawing Contans Information That Is Proprietary To Cosmtec Resources Co., Ltd  
And Should Not Be Used Without Written Permission. [www.cosmtec.com](http://www.cosmtec.com)

Part No.	DN-045
Title:	7-16 DIN JACK TO PLUG TO PLUG T-TYPE ADAPTER
DATE:	FEB/18/2022
SCALE:	1:1
UNIT	m/m
REV	A