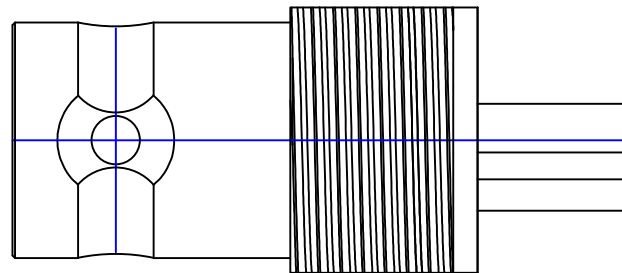
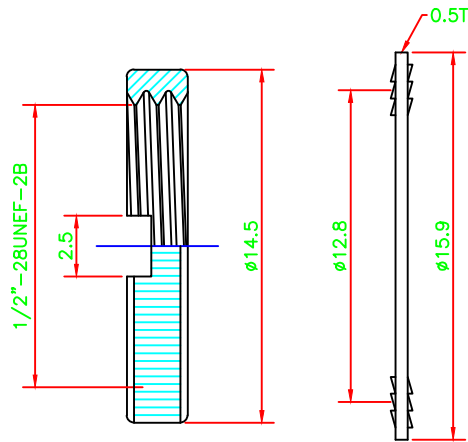
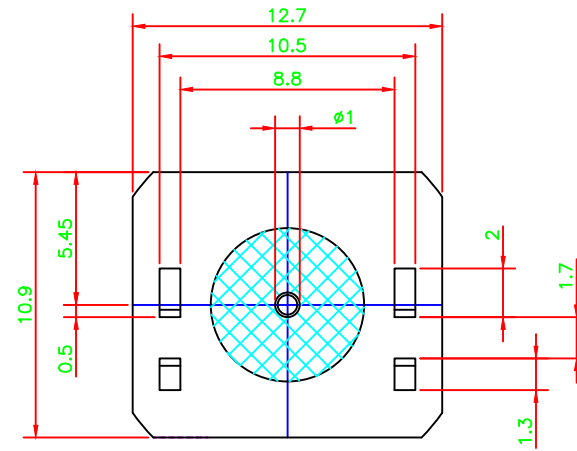


1/2"-28UNEF-2A



NO	Items	Specs
1	Impedance	75Ω
2	Frequency	DC~12 GHz
3	V.S.W.R	1.5 Max
4	Working Voltage	500V
5	Dielectric Withstanding Voltage	AC 1500V
6	Insulation Resistance	5000 MΩ Min
7	Contact Resistance	Center contact ≤ 1.5mΩ Outer contact ≤ 1.0mΩ
8	Temperature Range	-55°C ~ +165°C
9	Mating	Screw-On
10	Material/Finish	All RoHS Compliant

NO	Description	Material	Finish
1	Body	Brass	Nickel
2	Contact	P.H Bronze	Gold
3	Insulator	Teflon	-
4	Joint Cover	Brass	Nickel
5	Nut	Brass	Nickel
6	Washer	Brass	Nickel

Dimensions Are in Millimeters
Unless Otherwise Specified
Tolerances

0.5-6 = ± 0.2
6-30 = ± 0.4
30-120 = ± 0.6
120-315 = ± 1.0
315-1000 = ± 1.6
1000-2000 = ± 2.4

ROHS COMPLIANT

COSMTEC COSMTEC RESOURCES CO., LTD

DRAFT CHECKED APPROVED

The Drawing Contains Information That Is Proprietary To Cosmtec Resources Co., Ltd
And Should Not Be Used Without Written Permission. www.cosmtec.com

Part No.	B-055-GF-75-12G		
Title:	BNC JACK SOLDER BULKHEAD EDGE MOUNT12G-SDI 75Ω		
DATE:	FEB/10/2022	SCALE:	1:1
UNIT	m/m	REV	A